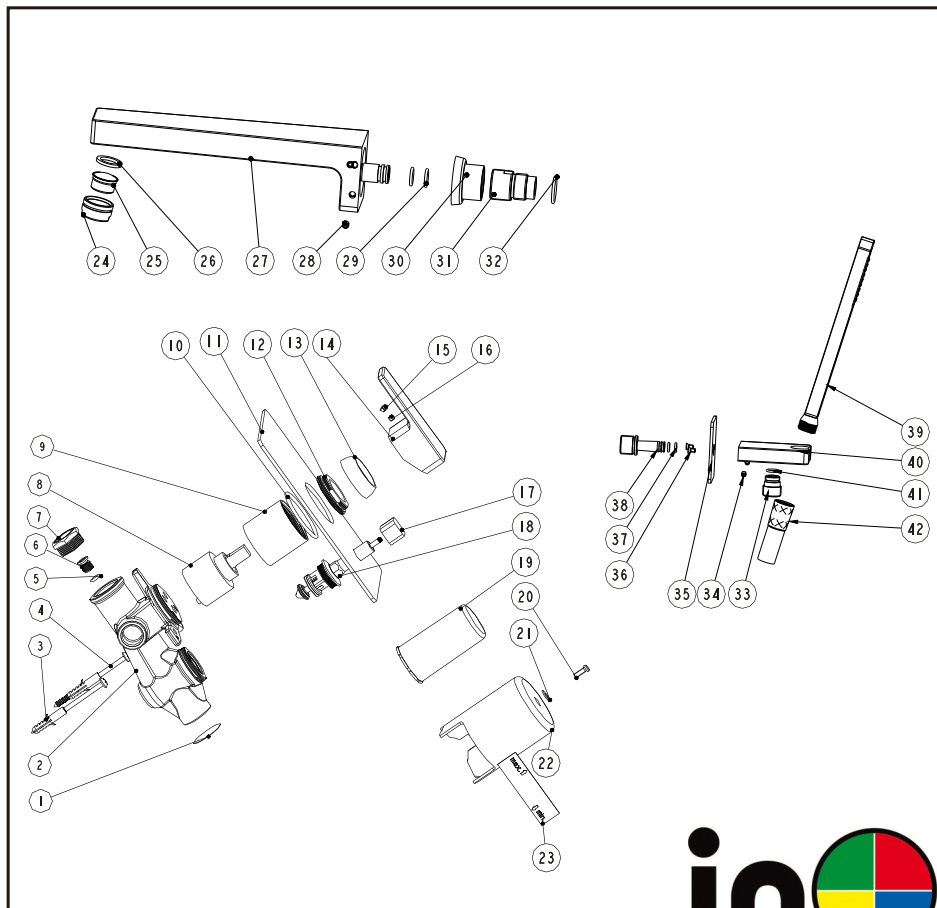


Bath/shower combination

Installation Instruction

Please read this instruction carefully to avoid any difficulty during installation.



1/6

Components List

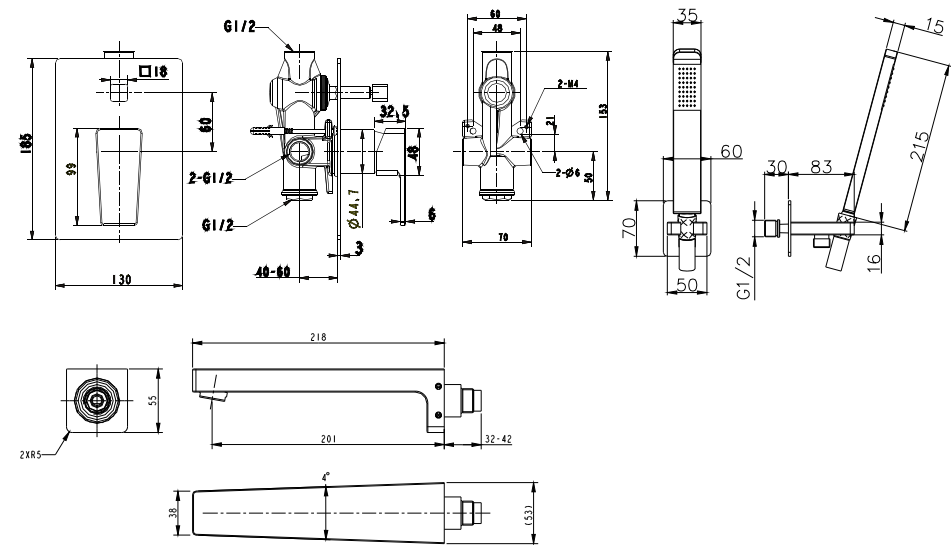
| No. | Component | Quantity |
|-----|-------------------------|----------|
| 1 | Index | 1 |
| 2 | Main body | 1 |
| 3 | Plastic sleeve | 2 |
| 4 | Cross-head screw | 2 |
| 5 | O-ring | 1 |
| 6 | Stopper | 1 |
| 7 | Union | 1 |
| 8 | Ceramic cartridge | 1 |
| 9 | Cover | 1 |
| 10 | Sealing strip | 1 |
| 11 | Plate | 1 |
| 12 | Cartridge fastener | 1 |
| 13 | Cap | 1 |
| 14 | Handle | 1 |
| 15 | Plug | 1 |
| 16 | Female allen screw | 1 |
| 17 | Knob | 1 |
| 18 | Diverter | 1 |
| 19 | Safe cover for diverter | 1 |
| 20 | Cross-head screw | 1 |
| 21 | Flat washer | 1 |
| 22 | Safe cover | 1 |
| 23 | Index | 1 |
| 24 | Aerator coat | 1 |
| 25 | Aerator core | 1 |
| 26 | Flat washer | 1 |
| 27 | Spout | 1 |
| 28 | Female allen screw | 4 |

2/6

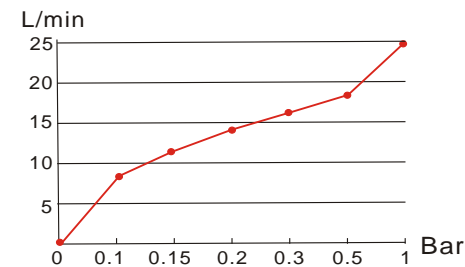
Components List

| No. | Component | Quantity |
|-----|--------------------|----------|
| 29 | O-ring | 2 |
| 30 | Adjusting pipe | 1 |
| 31 | Union | 1 |
| 32 | O-ring | 1 |
| 33 | Union | 1 |
| 34 | Female allen screw | 2 |
| 35 | Plate | 1 |
| 36 | Female allen screw | 2 |
| 37 | O-ring | 2 |
| 38 | Connecting pipe | 1 |
| 39 | Hand shower | 1 |
| 40 | Plate | 1 |
| 41 | O-ring | 1 |
| 42 | Hose | 1 |

Installation Fig



Flow rate Curves



Test pressure: 1.6MPa (16bar)

Flow pressure:

Min 0.05MPa

Max 1.60MPa

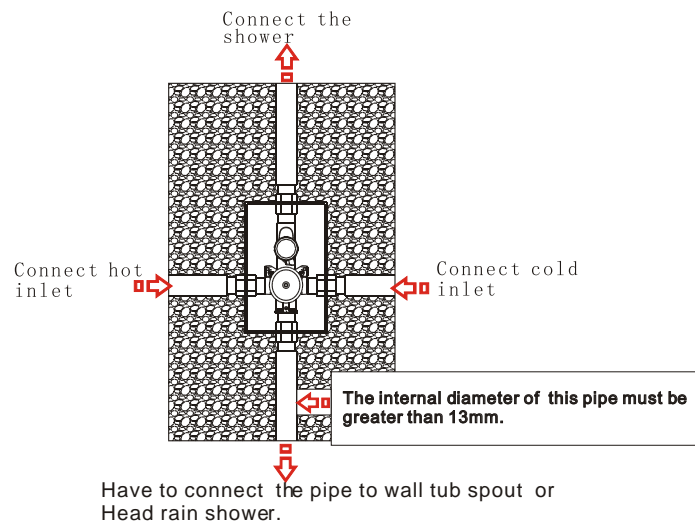
Recommended pressure:

0.1MPa to 0.8MPa (1 to 8 bar)

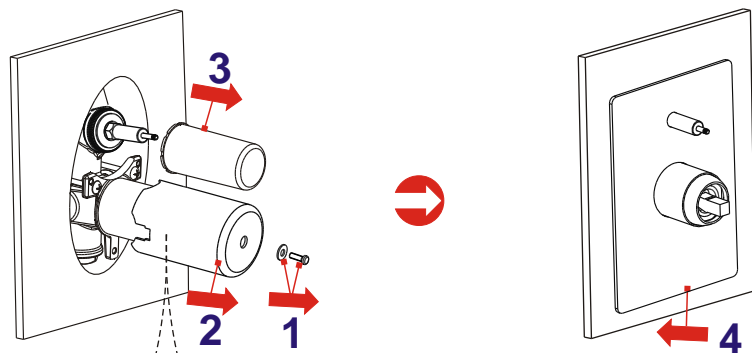
Note

1. Ensure proper cleaning of the water supply pipe before installation to avoid any jammed.
2. The cold-water supply must be connected on the right and the hot-water supply must be connected to the left.
3. Check the installation dimensions according to the Figure and ensure it is installed correctly.
4. Hot-water inlet temperature must not be over 80°C.

Installation Step

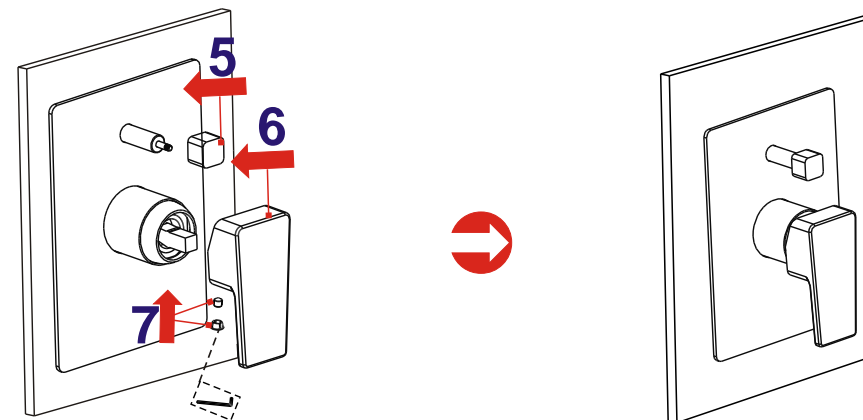


1

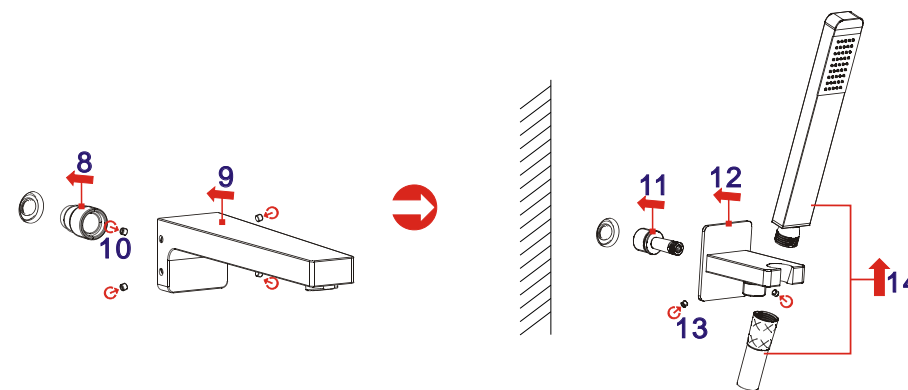


After installing the main body, read the index on cover, install the decorating tiles and glue the plate (4).

2



3



4

❄️❄️ Read the Installation Fig and confirm the installing position.

❄️❄️❄️ Test:

Open the supply pipes, close the ceramic cartridge and check the connections for leakage; open the ceramic cartridge and check the smooth water flow. Decorate the wall after checking and remove the safe cover. Install the escutcheon and handle.